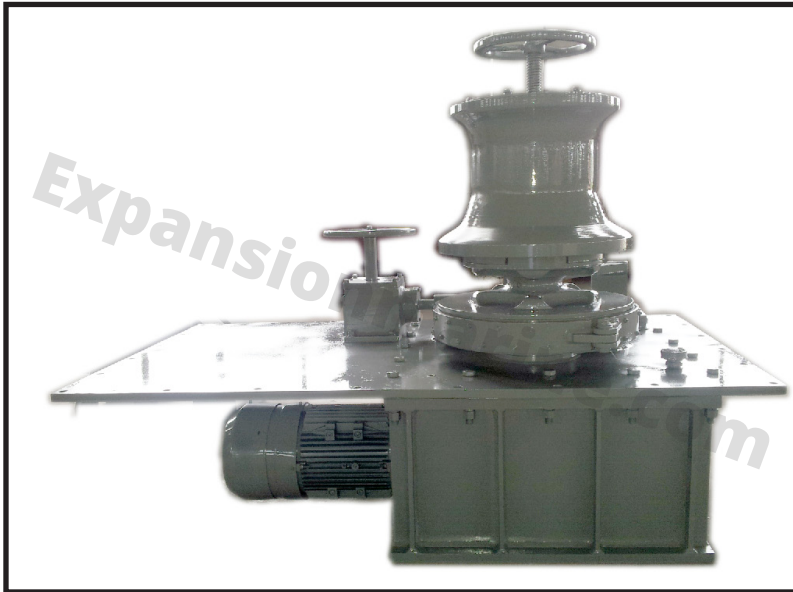




Taixing Expansion Marine Equipment Co.,Ltd



19mm electric horizontal anchor Capstan

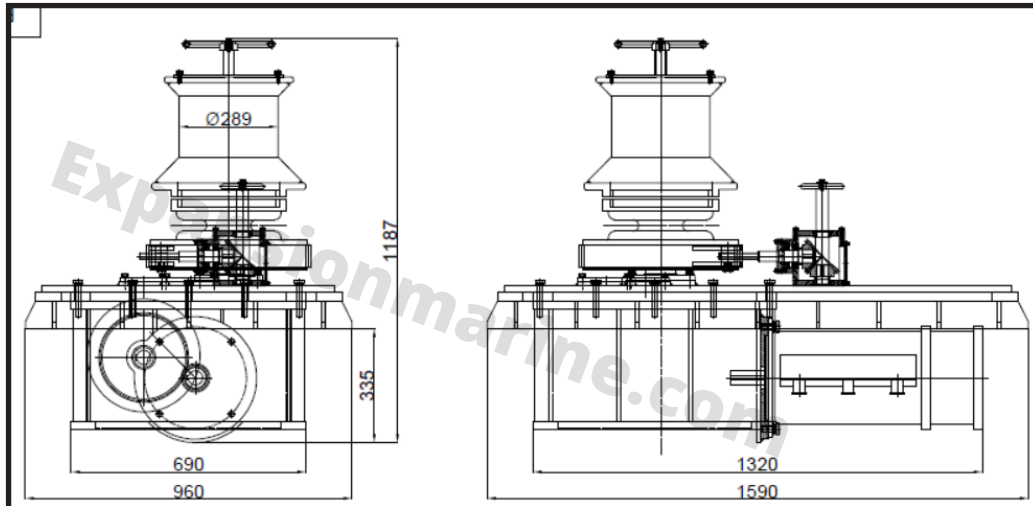


Chain part:

1. Dia. of chain : 19mm(AM2)
2. Working load : 15.3kN
3. Over load : 23kN
4. Holding load : 95kN
5. Nominal speed : 15m/min

Warping head part

1. Dia. of rope : 16mm
2. Dia. of capstan : 289mm
3. Warping load : 10kN
4. Nominal speed : ~18m/min



Taixing Expansion Marine Equipment Co.,Ltd
Contactor: David Zhu qb.zhu@expansionmarine.com
ADD: 2# Huanxi Road, Industry park east of Taixing
City, Jiangsu Province, China, 225400
T: +86-523-80737092 F: +86-523-80737073
M: +86-13961036109 H: www.expansionmarine.com



Windlass up to 113mm
Winch up to 300T
Capstan up to 20T
Hydraulic Pump station
Emergency Towing System
Sharkjaw and A frame